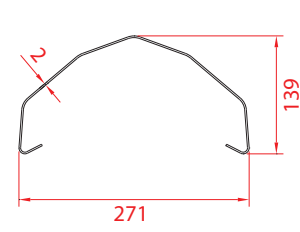
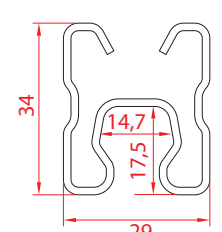


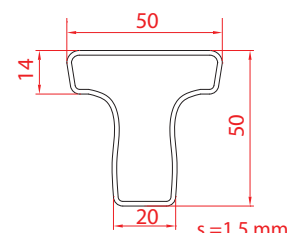
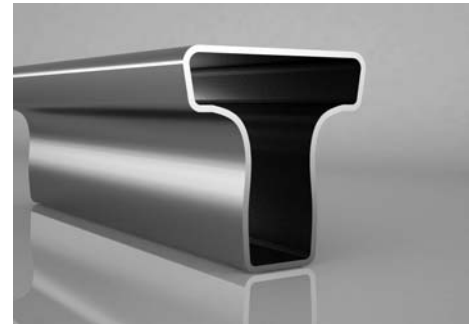
TRM-22



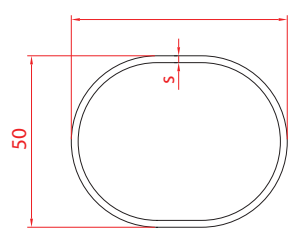
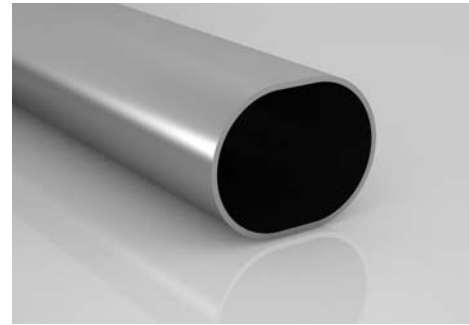
TRM-23



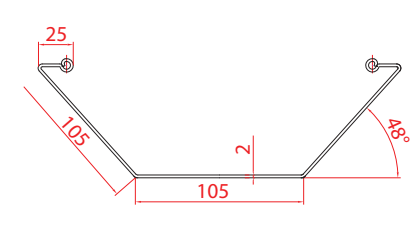
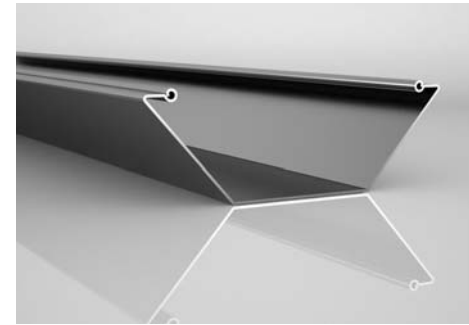
TRM-24



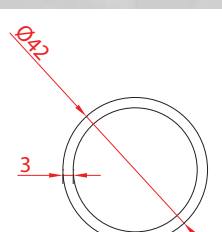
TRM-25



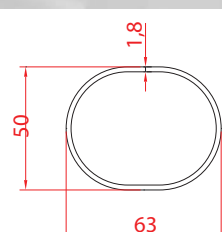
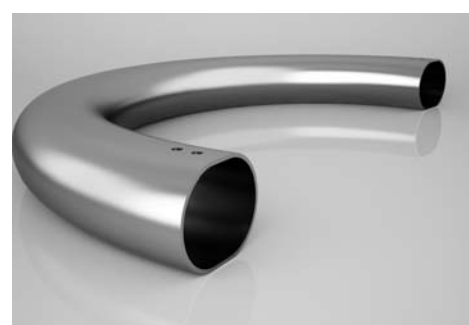
TRM-26



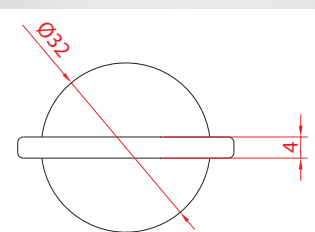
TRM-27



TRM-28



TRM-29



TRM-30



MEKOTUBING

"You imagine, we can shape it."

PROFILES FOR AGRICULTURE AND GREENHOUSE

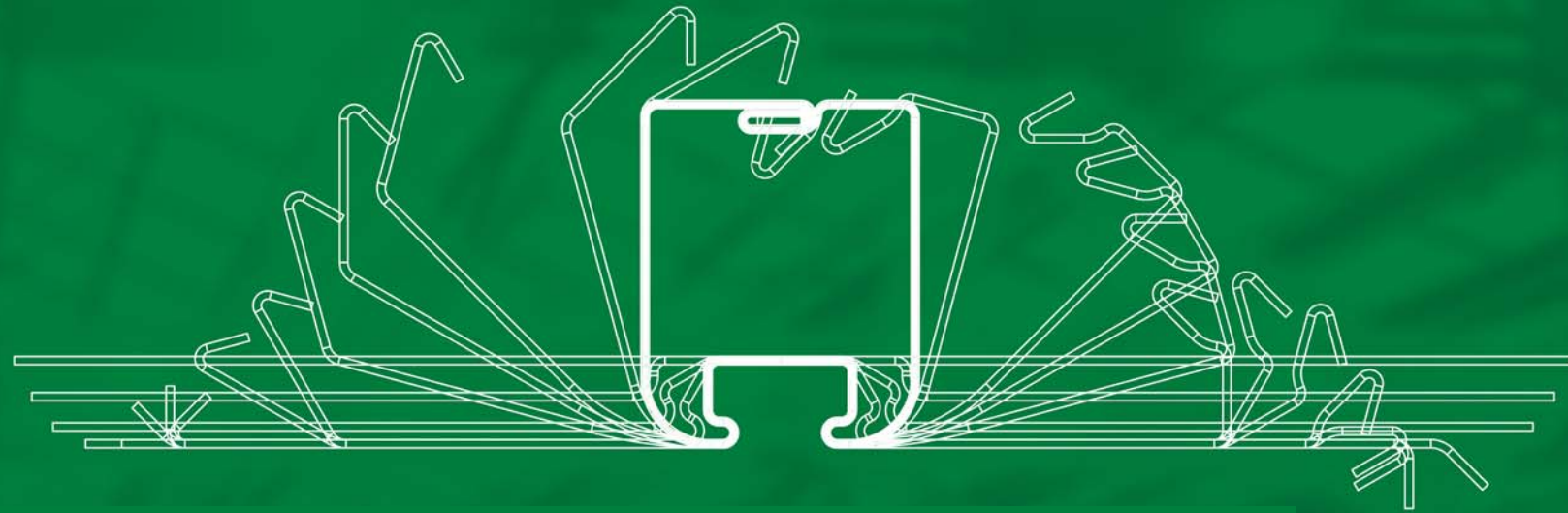


MEKO TUBING
7 Eylül Mah. Ümit Tunçağ Cad. No:5 Torbalı - İZMİR / TÜRKİYE
T: +90 232 274 80 00 - F: +90 232 335 51 38
E: meko@mekometal.com.tr - export@kmc.com.tr

www.mekometal.com.tr www.kmcgroup.com.tr www.mekomag.com

kmc_metal kayserimetalcenter kmc_metal kmcgroup

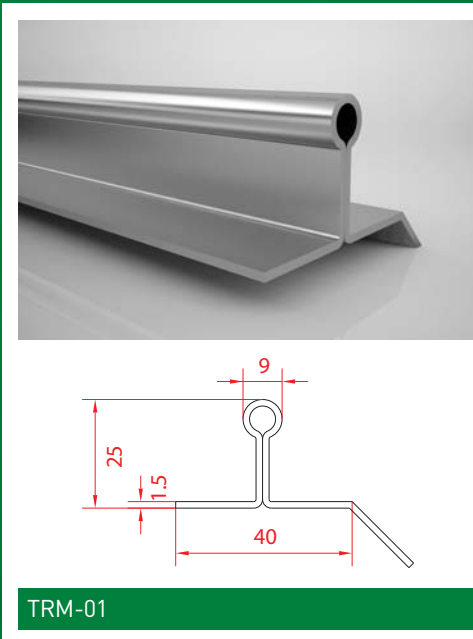




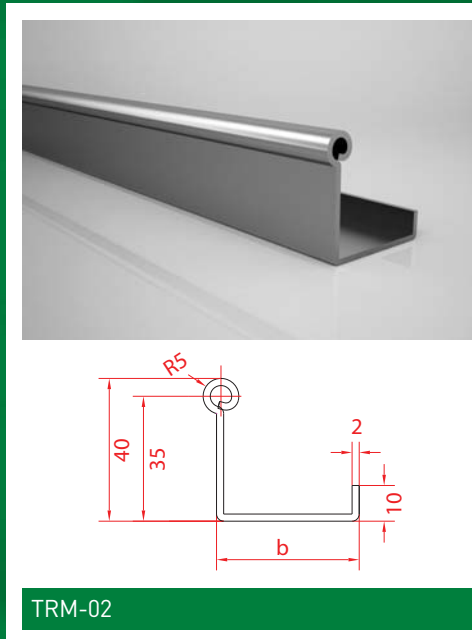
PROFILES FOR AGRICULTURE AND GREENHOUSE

- Greenhouse profiles & parts
- Greenhouse U, L & I clips
- Connection parts
- Tubes and profiles in special cross-section
- Gutter range in different shapes & sizes

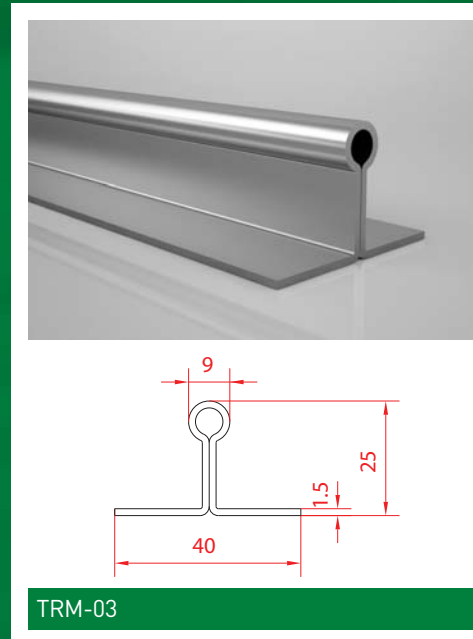
The design and production of our molds and fixtures that are using in every stage of the production are produced by our own experienced technical team. On special profiles punching, bending, edge reducing, edging, end cutting and similar requested applications can be performed to have them as semi and finished product.



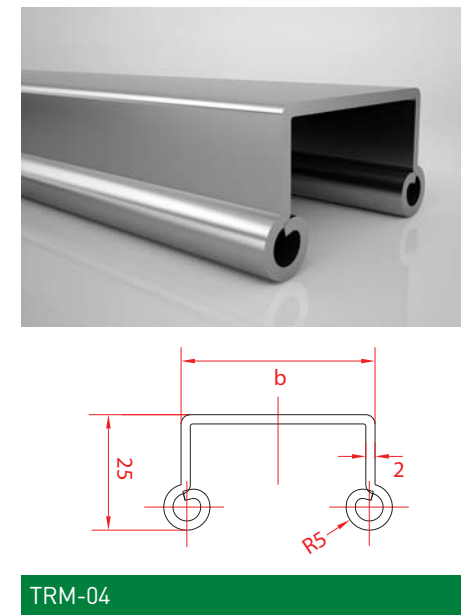
TRM-01



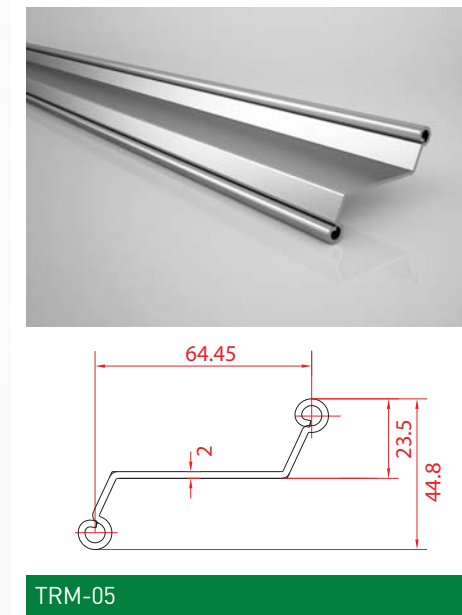
TRM-02



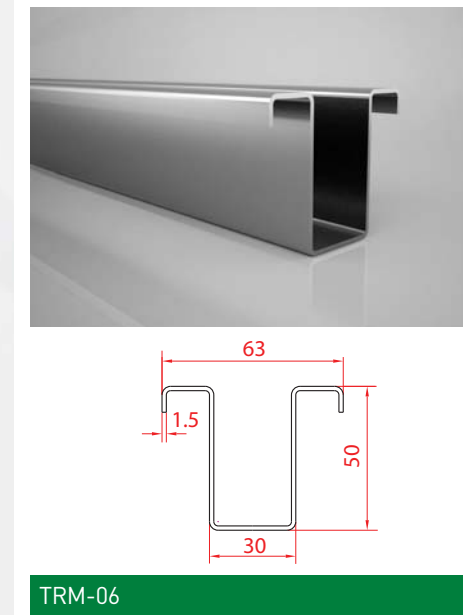
TRM-03



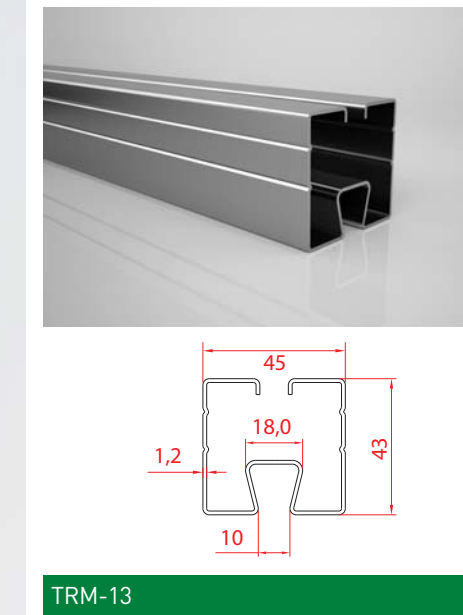
TRM-04



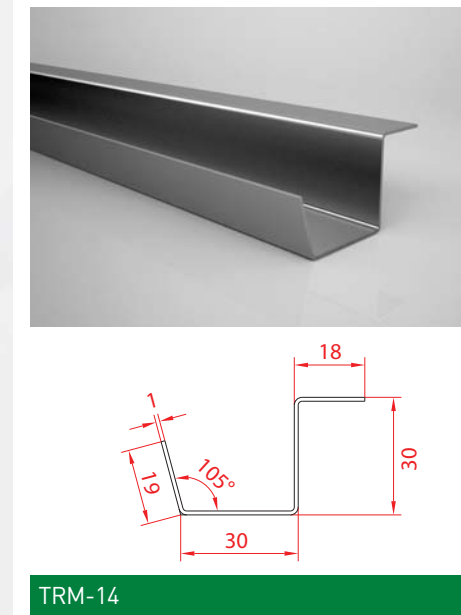
TRM-05



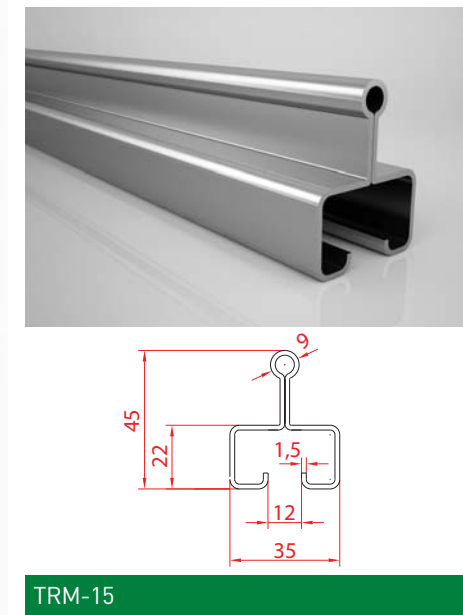
TRM-06



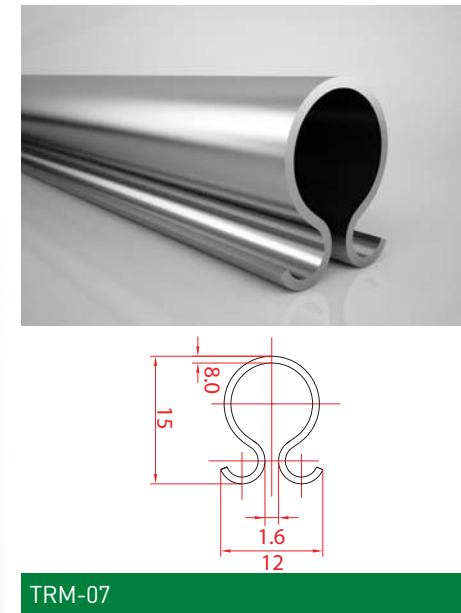
TRM-13



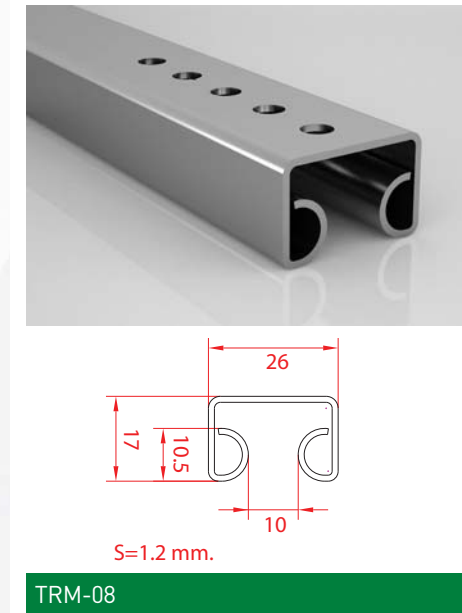
TRM-14



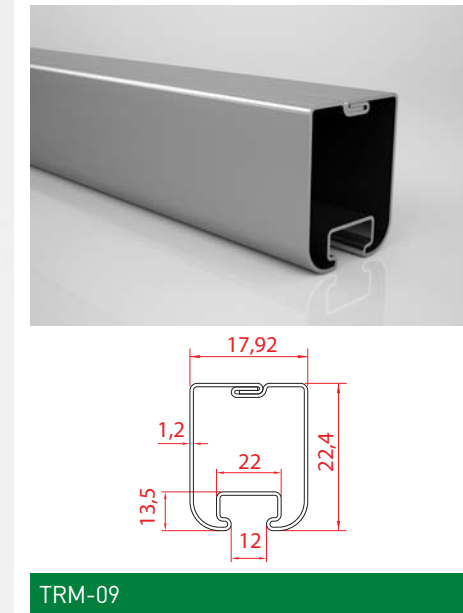
TRM-15



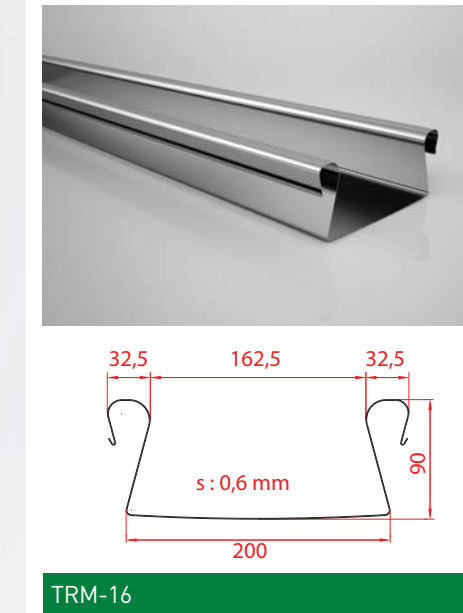
TRM-07



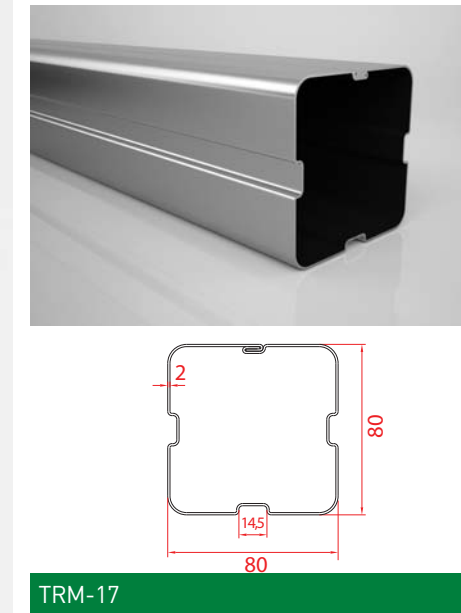
TRM-08



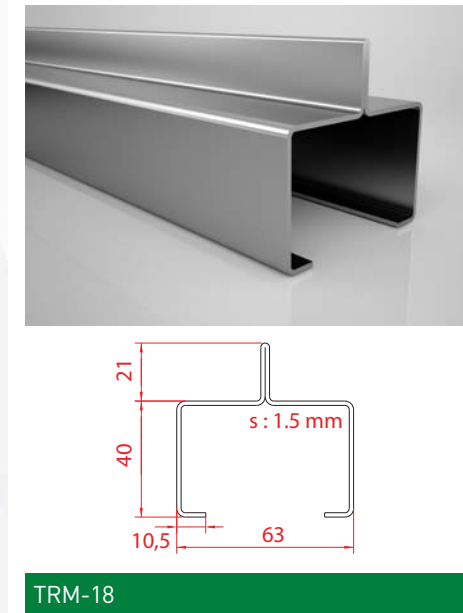
TRM-09



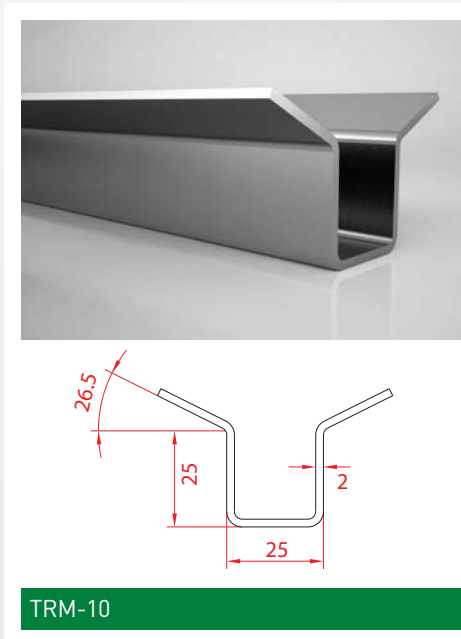
TRM-16



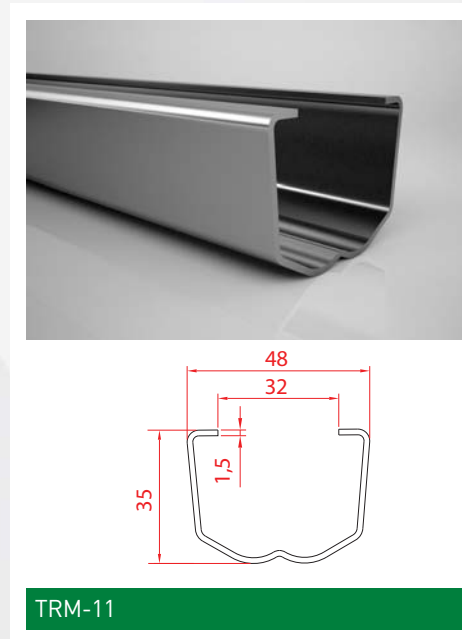
TRM-17



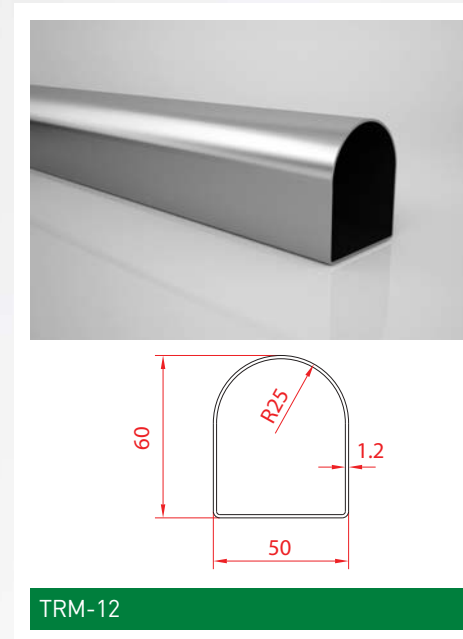
TRM-18



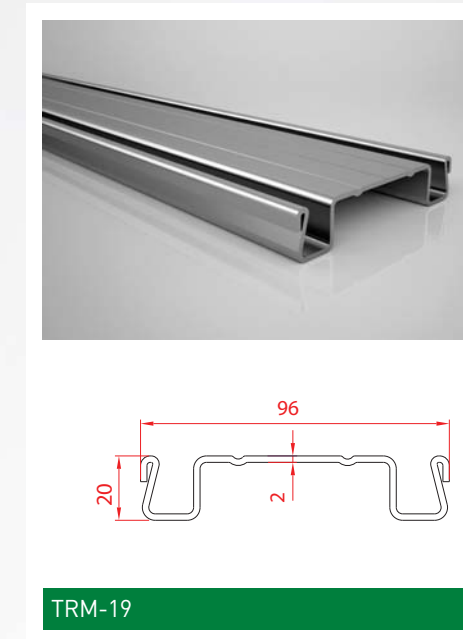
TRM-10



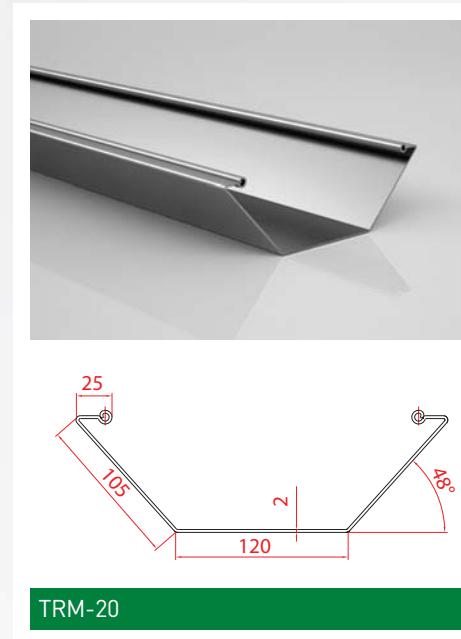
TRM-11



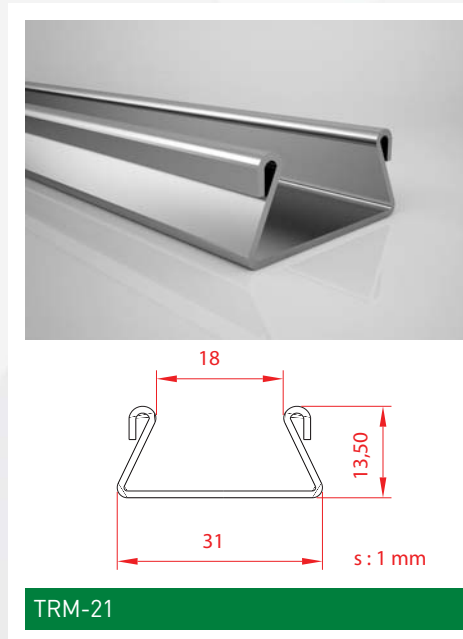
TRM-12



TRM-19



TRM-20



TRM-21